



A TIME AND PLACE *for everything™*

TW2600 Magnet Mount Iridium™ Certified Antenna

The TW2600 by Tallysman Wireless is a professional grade, magnet mount, passive right hand circularly polarised antenna for the 1616 to 1626.5 MHz frequency band, certified and specially designed to maximise the performance of Iridium™ Voice and Data Modems.

The TW2600 features a high performance dual-feed patch element that provides great axial ratio (3dB max) over the entire Iridium™ frequency band, thus signals at the band edges remain truly circular, unlike the response of single feed antennas.

The TW2600 is housed in a compact, industrial-grade weather-proof, magnet mount enclosure, with threaded base holes for screw down attach. It is available with a 50 cm cable, allowing for the Iridium™ Modem to be mounted out of the elements and reach, and still providing excellent Iridium™ signal coverage.

Applications

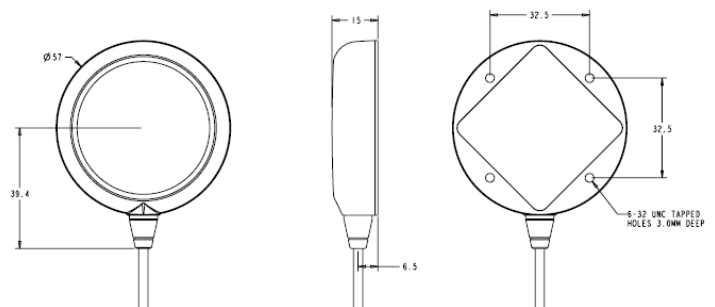
- Iridium™ Voice and Data Applications
- Sea & Land Container Tracking
- Military & Security
- Fleet Management & Asset Tracking
- Marine & Avionics Systems
- Law Enforcement & Public Safety

Features

- Custom high gain, 4.25 dBic dual-feed patch
- Great axial ratio, 3 dB over full bandwidth
- 15 KV ESD circuit protection
- IP67 weather proof housing
- Robust Industrial grade enclosure
- Magnet or screw mount



TW2600 Dimensions (mm)



Benefits

- Excellent circular polarized signal transmission
- Industrial temperature range
- Rugged Design
- Ideal for harsh environments
- RoHS compliant
- Remote SBD antenna



TW2600 Magnet Mount Iridium™ Certified Antenna

Specifications

Vcc = 3V, over full bandwidth, T=25°C

Antenna

Architecture	Dual, quadrature feeds
Antenna Gain (100mm ground plane)	4.25 dBic
Axial Ratio (over full bandwidth)	≤3 dB

Electrical

Architecture	Hybrid 90° phase signal splitter
Frequency Bandwidth	1616 to 1626.5 MHz
Polarization	RHCP
Gain flatness	≤1 dB, from 1616 to 1626.5 MHz
VSWR (at antenna)	<1.5:1
Return Loss (10 dB bandwidth)	<-20 MHz
ESD Circuit protection	15 KV air discharge

Mechanicals & Environmental

Mechanical Size	57 mm dia. x 15 mm H
Connectors	SMA, TNC, MCX Male (Plug). Other connectors optional
Cable	RG174 / 50 cm, custom lengths optional
Operating Temp. Range	-40 to +85 °C
Enclosure	Radome: ASA plastic, Base: Zamak white metal
Weight	150 g
Attachment Method	Magnet or permanent (pre-tapped 4 x 6-32UNC)
Environmental	IP67 and RoHS compliant
Shock	Vertical axis: 50 G, other axes: 30 G
Vibration	3 axis, sweep = 15 min, 10 to 200 Hz sweep: 3 G
Warranty	One year – parts and labour

Ordering Information

TW2600 – Iridium™ antenna, 50 cm cable, SMA Male	32-2600-0
TW2600 – Iridium™ antenna, 50 cm cable, TNC Male	32-2600-1
TW2600 – Iridium™ antenna, 50 cm cable, MCX Male	32-2600-2

Please contact Tallysman Wireless for additional information

Tallysman Wireless Inc

106 Schneider Road, Unit 3
Ottawa ON K2K 1Y2 Canada
Tel 613 591 3131
Fax 613 591 3121
sales@tallysman.com

The information provided herein is intended as a guide only and is subject to change without notice. This document is not to be regarded as a guarantee of performance. Tallysman Wireless Inc. hereby disclaims any or all warranties and liabilities of any kind. © 2010 Tallysman Wireless Inc. All rights reserved.