

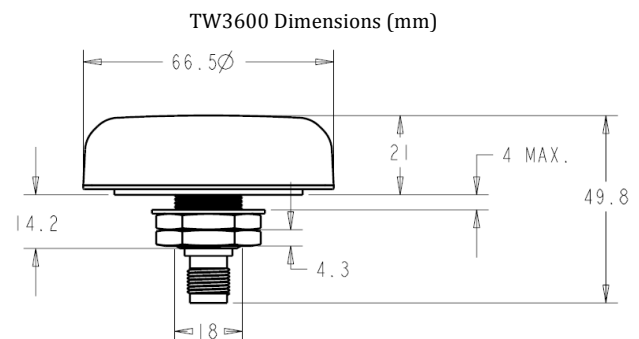


# TW3600 Permanent Mount Iridium™ Antenna

The TW3600 by Tallysman Wireless is a professional grade, permanent mount, passive right hand circularly polarised antenna for the 1616 to 1626.5 MHz frequency band, specially designed to maximise the performance of Iridium™ voice and data modems.

The TW3600 features a high performance dual-feed patch element that provides great axial ratio (3dB max) over the entire Iridium™ frequency band, thus signals at the band edges remain truly circular, unlike the response of single feed antennas.

The TW3600 is housed in a permanent mount industrial-grade weather-proof enclosure and comes with a TNC Jack (female) connector, allowing for the Iridium™ modem to be mounted out of the elements and reach, and still providing excellent Iridium™ signal coverage.



## Applications

- Iridium™ Voice and Data Applications
- Sea & Land Container Tracking
- Military & Security
- Fleet Management & Asset Tracking
- Marine & Avionics Systems
- Law Enforcement & Public Safety

## Features

- Custom high gain, 4.25 dBic dual-feed patch
- Great axial ratio, 3 dB over full bandwidth
- 15 KV ESD circuit protection
- IP67 weather proof housing
- Robust Industrial grade enclosure
- Surface, bracket or mast mount

## Benefits

- Excellent circular polarized signal transmission
- Industrial temperature range
- Rugged Design
- Ideal for harsh environments
- RoHS compliant
- Remote antenna



# TW3600 Permanent Mount Iridium™ Antenna

## Specifications

Vcc = 3V, over full bandwidth, T=25°C

### Antenna

Architecture	Dual, quadrature feeds
Antenna Gain (100mm ground plane)	4.25 dBic
Axial Ratio (over full bandwidth)	≤3 dB

### Electrical

Architecture	Hybrid 90° phase signal splitter
Frequency Bandwidth	1616 to 1626.5 MHz
Polarization	RHCP
Gain flatness	≤1 dB, from 1616 to 1626.5 MHz
VSWR (at antenna)	<1.5:1
Return Loss (10 dB bandwidth)	<-20 MHz
ESD Circuit protection	15 KV air discharge

### Mechanicals & Environmental

Mechanical Size	66.5 mm dia. x 21 mm H
Connectors	TNC Jack (female)
Cable (Option)	Custom cable assembly available.
Operating Temp. Range	-40 to +85 °C
Enclosure	Radome: ASA Plastic, Base: Zamak White Metal
Weight	150 g
Attachment Method	Permanent ¾" (19mm) through hole mount
Environmental	IP67 and RoHS compliant
Shock	Vertical axis: 50 G, other axes: 30 G
Vibration	3 axis, sweep = 15 min, 10 to 200 Hz sweep: 3 G
Warranty	One year, parts and labour

## Ordering Information

TW3600 - Iridium™ antenna, TNC Female	32-3600-0
---------------------------------------	-----------

Please contact Tallysman Wireless for additional information

### Tallysman Wireless Inc

106 Schneider Road, Unit 3  
Ottawa ON K2K 1Y2 Canada  
Tel 613 591 3131  
Fax 613 591 3121  
[sales@tallysman.com](mailto:sales@tallysman.com)

The information provided herein is intended as a guide only and is subject to change without notice. This document is not to be regarded as a guarantee of performance. Tallysman Wireless Inc. hereby disclaims any or all warranties and liabilities of any kind. © 2011 Tallysman Wireless Inc. All rights reserved.