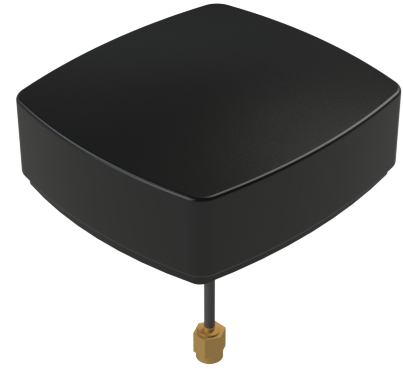




MEAX-915-ISM

915 MHz ISM Screw Mount
Part #: 100-00184-01



Description

The MEA-915-ISM is a high gain & efficiency antenna to be used for 915MHz wireless applications. This external mount rugged antenna is ideal for high-performance outdoor or indoor applications. It is designed for IoT, Telematics and remote metering mesh installations and systems. The high efficiency and gain along with the Omni-directional properties provide this antenna a consistent and stable long-range connectivity with high throughput data to devices for 915MHz needs. The antenna housing consists of black UV-resistant rugged plastics and a heavy-duty metal base for optimal installations. The cable & connector are customizable.

Electrical Specifications

Parameter	Specification
Frequency Range	902-928 MHz
Band	915 MHz
Return Loss	-16.1 dB
VSWR	1.4:1
Efficiency	55.1%
Peak Gain	4.0 dBi
Average Gain	-2.6 dB
Impedance	50 Ω
Polarisation	Linear
Radiation Pattern	Omni-directional
Max. Input Power	25 W

Features

- 915 MHz ISM LoRa band antenna
- Screw Mount
- Anti-Rotation Mechanism
- Ground Plane Independent
- Customizable Cable and Connector
- Low Profile
- Dimensions Ø 54 x 80 mm
- IP67, IP69K

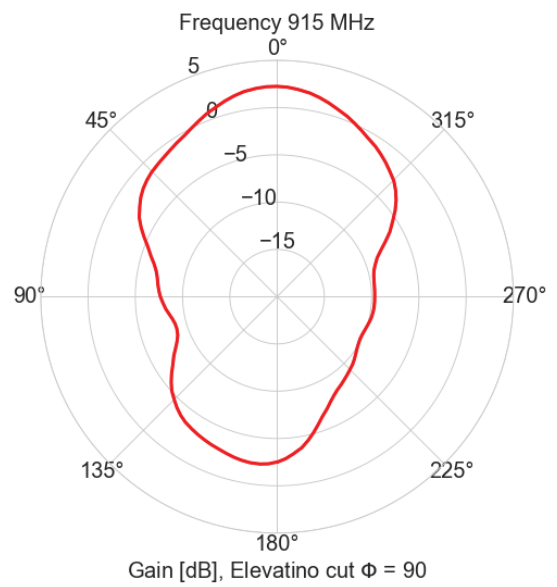
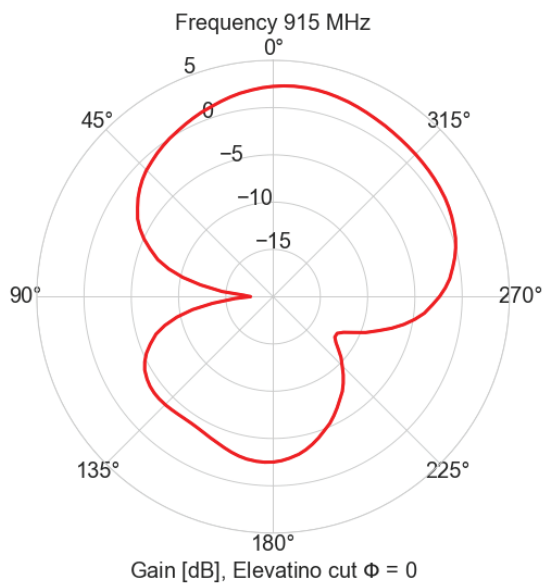
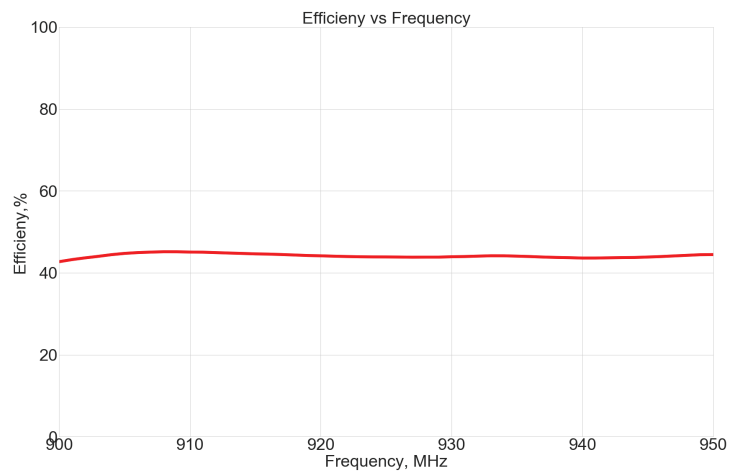
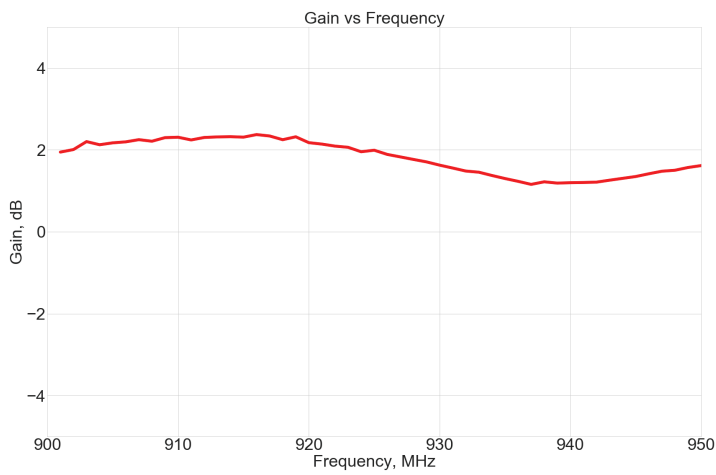
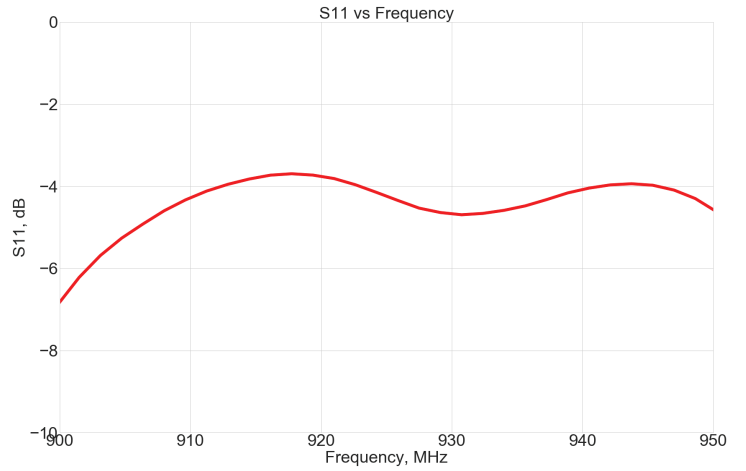
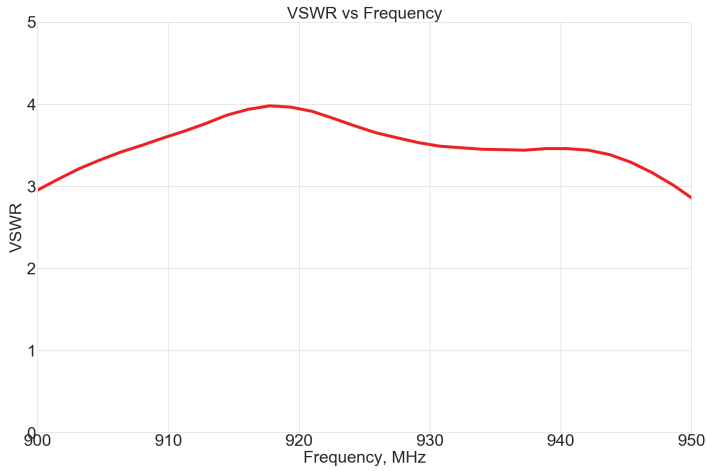
Applications

- Remote mesh networks
- Smart meters
- IoT
- Public Safety

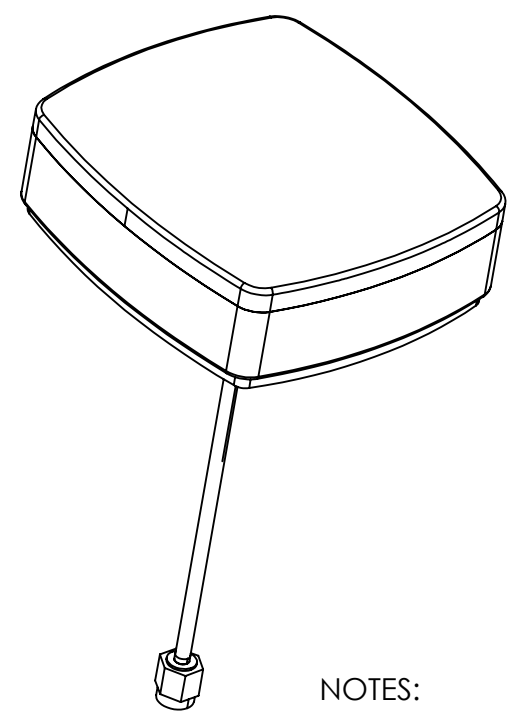
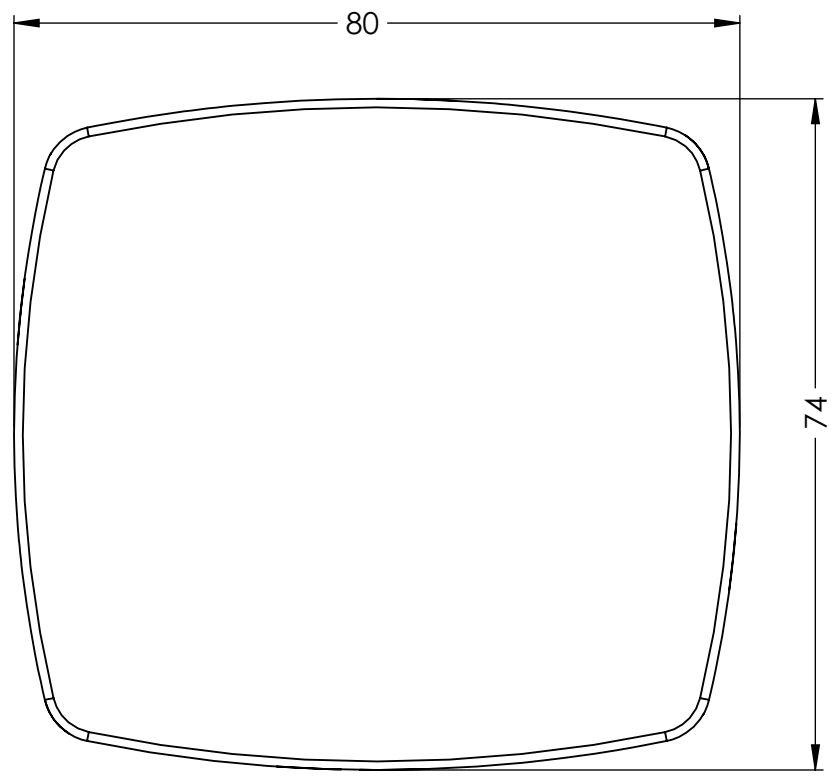
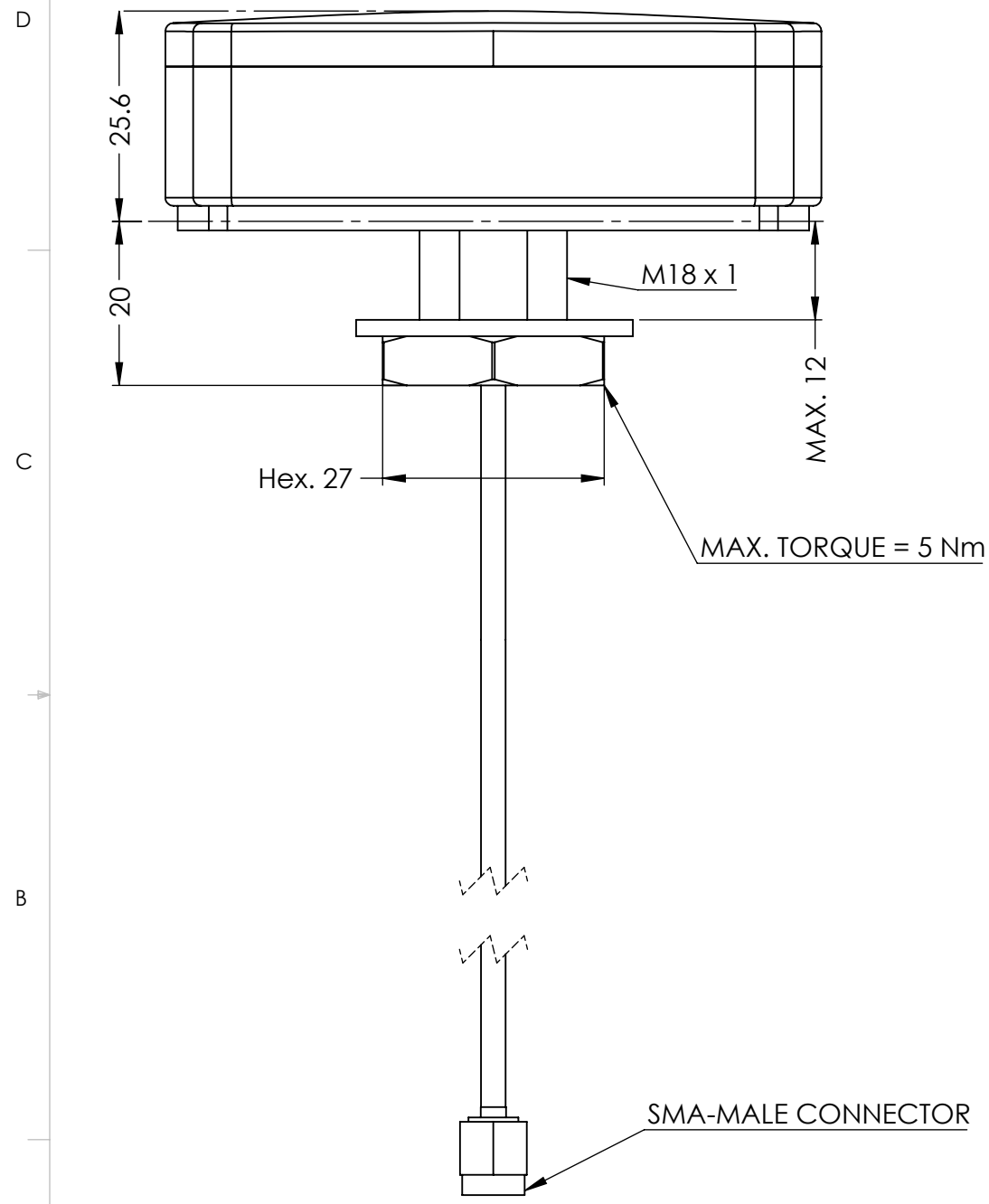
Mechanical Specification

Parameter	Specification
Antenna Dimensions	80 x 74 x 25.6 mm
Operating Temperature	-40°C to 85°C
Connector Type	SMA-Male Standard
Mounting Type	Screw Mount
Random	ABS UV Stable
Radome color	Black, White
Substance Compliance	RoHS
Certificates	IP67, IP69

*Mounted on Ground Plane of 30 x 30 cm

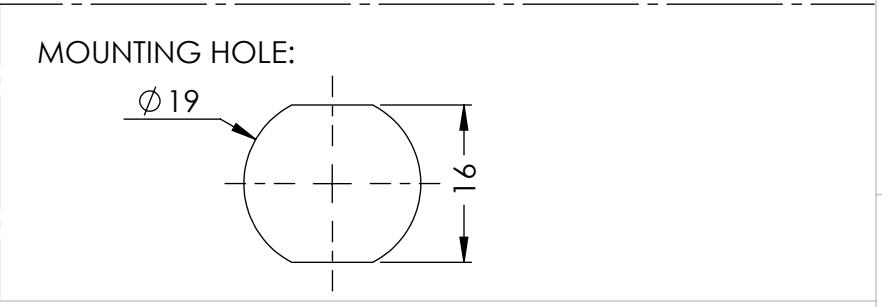


DRAWING REVISION HISTORY			
REV	DESCRIPTION	DATE	BY
A	INITIAL RELEASE	2021-07-15	SZ



NOTES:

1. FREQUENCY: 902-928 MHz
2. DIMENSIONS ARE AFTER MOUNTING
3. CUSTOMIZABLE CABLE AND CONNECTOR TYPE
4. MOUNTING TYPE: SCREW MOUNT
5. MAX MOUNTING THICKNESS: 12 mm
6. MATERIALS:
 - RADOME: ABS UV STABLE
 - RADOME COLOR: BLACK OR WHITE
7. OPERATING TEMPERATURE: -40°C ~ +85°C
8. STORAGE TEMPERATURE: -40°C ~ +85°C
9. CERTIFICATES: IP67, IP69



SMA-MALE CONNECTOR

ITEM 100-00184 REVISION HISTORY			
REV	DESCRIPTION	DATE	BY
1	INITIAL RELEASE	2021-07-15	SZ

100-00184 CONFIGURATION TABLE				
DASH NO	CABLE TYPE	CABLE LENGTH	CONNECTOR TYPE	RADOME COLOR
-01	D302	200 cm	SMA-MALE GOLD	BLACK

UNLESS OTHERWISE SPECIFIED:
DIMENSIONS ARE IN MM
TOLERANCES:
FRACTIONAL: ±
ANGULAR: MACH ± .5° BEND ±
ONE PLACE DECIMAL ± 1.0
TWO PLACE DECIMAL ± .5

	NAME	DATE
DRAWN	SZ	2021-07-15
CHECKED	ZX	2021-07-15
ENG APPR.	NPC	2021-07-15
MFG APPR.		
	Q.A.	

INTERPRET GEOMETRIC TOLERANCING PER:

THIRD ANGLE PROJECTION
DO NOT SCALE DRAWING

CAD MAINTAINED. CHANGES SHALL BE INCORPORATED BY THE DESIGN ACTIVITY.

MAXTENA, INC

TITLE: 100-00184 MEA-915-ISM

SIZE: B DWG. NO. 117-00478-01 REV: A

CAGE CODE: 5KQH7 SCALE: NONE SHEET 1 OF 1